

Deep Cycle SLA Battery

**DC SERIES**

DC (Deep cycle) Series batteries are designed for deep discharge application, with special chemical formula for plates active paste material, slightly stronger electrolyte and low temperature design, which can withstand repeated deep cyclic application, such as Solar Energy System, Golf Trolley, Electric

**Application**

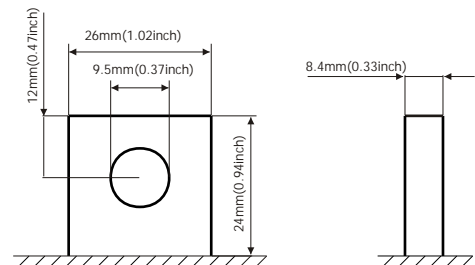
- Solar Energy System
- Golf Cars and Buggies
- Electric Powered Vehicles
- Wheel Chairs
- Power Tools
- Electric Powered Toys
- Control System
- Vacuum Cleaners
- Medical Equipments
- UPS

**General Features**

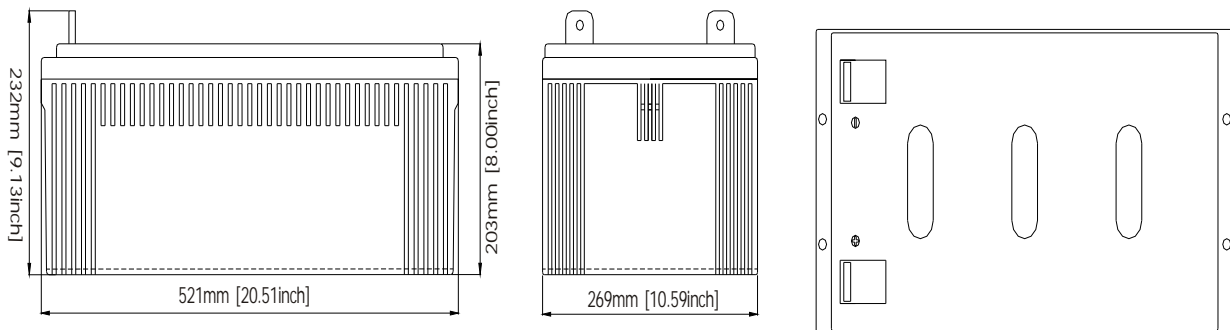
- Sealed and maintenance free operation.
- Non-Spillable construction design.
- ABS containers and covers(UL94HB, UL94V-0) optional.
- Safety valve installation for explosion proof.
- High quality and high reliability.
- Exceptional deep discharge recovery performance.
- Low self discharge characteristic.
- Flexibility design for multiple install positions.

**Construction**

- Component .....Raw material
- Positive .....Lead dioxide
- Negative .....Lead
- Container .....ABS
- Cover .....ABS
- Sealant .....Epoxy Resin
- Safety valve ....EPDR
- Terminal .....Copper
- Separator .....Fibre glass
- Electrolyte .....Sulfuric acid

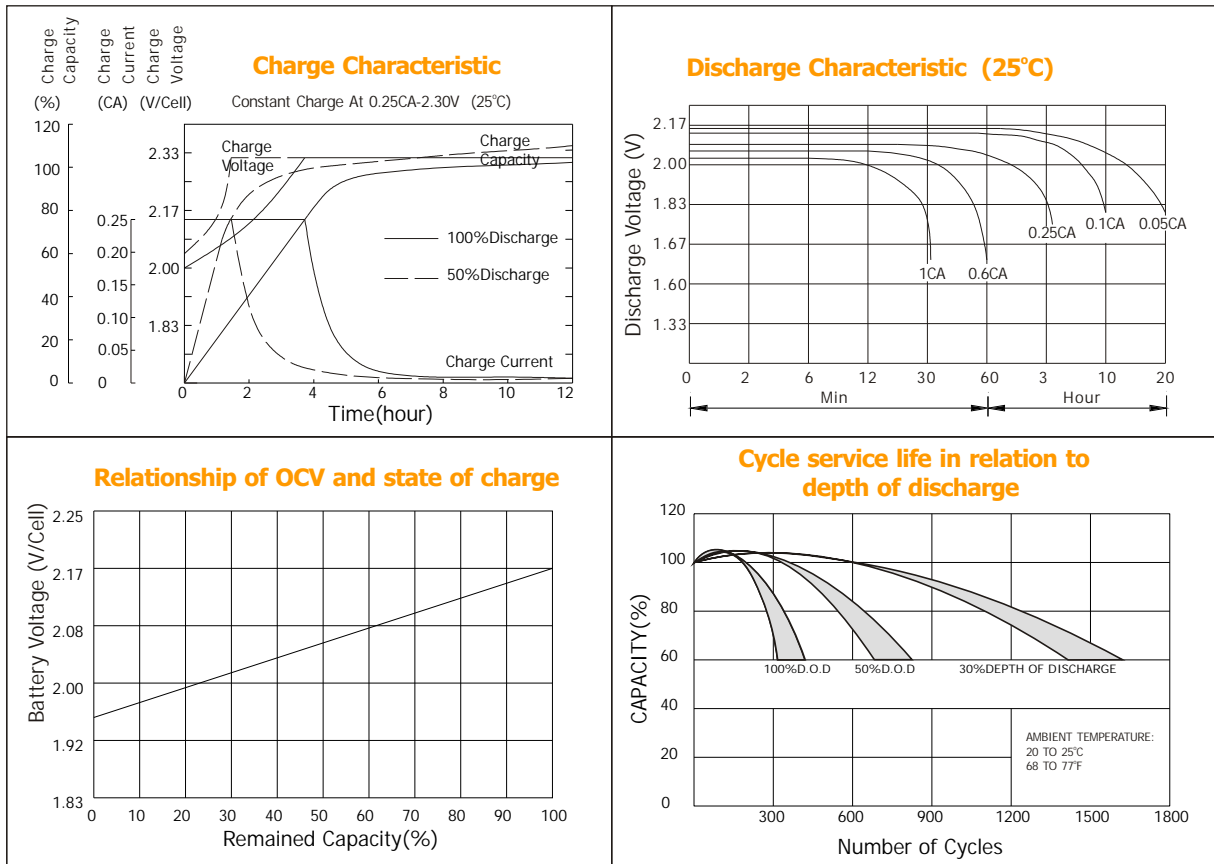


**Terminal Dimensions**



Battery Model	DC 12-230			
Designed Cycle Life	> 350 cycles @ -0.5CA to 9.6V			
Capacity(25°C)	20HR(11.6A,1.75V)	10HR(23A,1.75V)	5HR(39.1A,1.75V)	1HR(149.5A,1.75V)
	232AH	230AH	195.5AH	149.5AH
Dimensions	Length	Width	Height	Total Height
	521mm(20.51inch)	269mm(10.6inch)	203mm(7.99inch)	232mm(9.13inch)
Approx. Weight	66Kg (145.53 lbs)			
Internal Resistance	Full charged at 25°C: 0.004 Ohm			
Self Discharge	3% of capacity declined per month at (25°C)			
Capacity Affected by Temp.(20HR)	40°C	25°C	0°C	-15°C
	102%	100%	85%	65%
Charge Voltage(25°C)	Cycle use		Float use	
	14.4-15V(-30mV/ °C), max. Current: 46A		13.6-13.8V(-20mV/ °C)	

**Deep Cycle SLA Battery**



**Constant current discharge ratings-amperes at 25°C**

F. V/Time	5MIN	10MIN	15MIN	30MIN	1HR	3HR	5HR	10HR	20HR
1.60V	1006	626	472	288	179	78.8	48.2	26.2	14.2
1.67V	944	594	454	275	177	75.8	47.1	26.0	13.7
1.70V	865	572	443	250	172	70.7	46.1	25.9	13.5
1.75V	848	554	429	238	164	68.4	45.1	25.8	13.1
1.80V	759	529	390	220	153	65.7	42.4	25.3	12.8
1.85V	669	504	350	203	143	63.3	39.7	24.9	12.4

**Constant power discharge ratings-watts at 25°C**

F. V/Time	5MIN	10MIN	15MIN	30MIN	1HR	3HR	5HR	10HR	20HR
1.60V	1764	1130	862	518	324	140	75.6	50.0	26.3
1.67V	1703	1101	851	508	322	135	75.3	49.7	25.3
1.70V	1603	1091	844	476	316	129	74.3	49.4	25.0
1.75V	1613	1087	837	461	310	126	73.6	48.8	24.4
1.80V	1476	1071	776	440	293	123	71.4	48.2	23.8
1.85V	1339	1016	704	412	275	119	69.1	47.5	22.8

