

OPzS Series SLA Battery

Opzs Series

Bosfa Opzs Series Lead Acid batteries are designed with a combination of die-casting Tubular positive framework and superfluous electrolyte technologies to offer a very high lever of reliability and a long service life. Opzs batteries used special filter and proof design to ensure no acid fog runs over and burning proof, and also convenient examine and maintenance.

Application

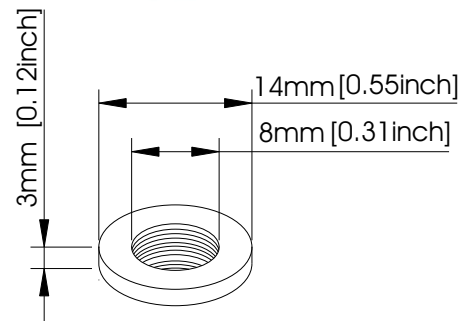
- Telecommunications
- Cable Television
- Electric Utility
- Control Equipment
- Security System
- Medical Equipment
- UPS
- Railroad Utility
- Photovoltaic System
- Alternative Energy System

General Features

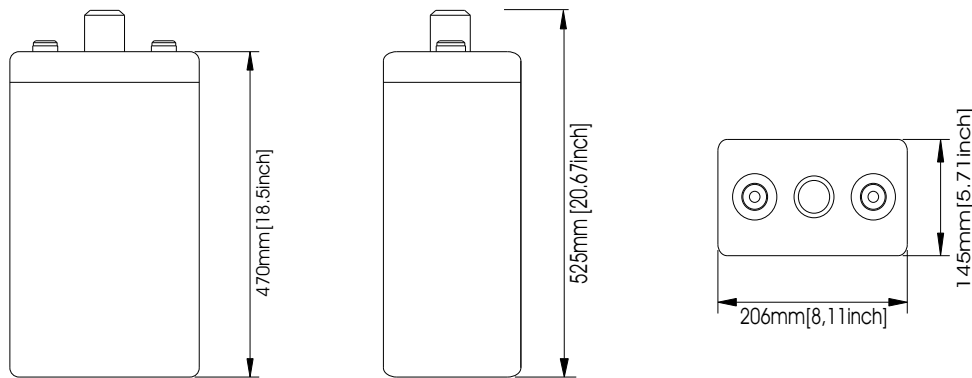
- Maintenance convenient.
- Non-Spillable construction design.
- Transparent containers, convenient to observe.
- Special filter installation for acid fog proof.
- High quality and high reliability.
- Super long service life.
- Special pole sealed technology.
- Super reliability.

Construction

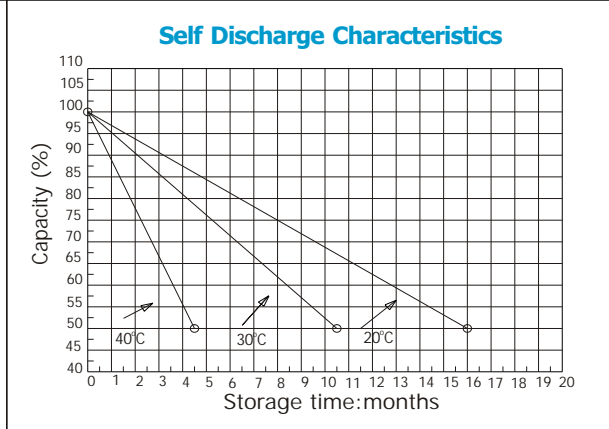
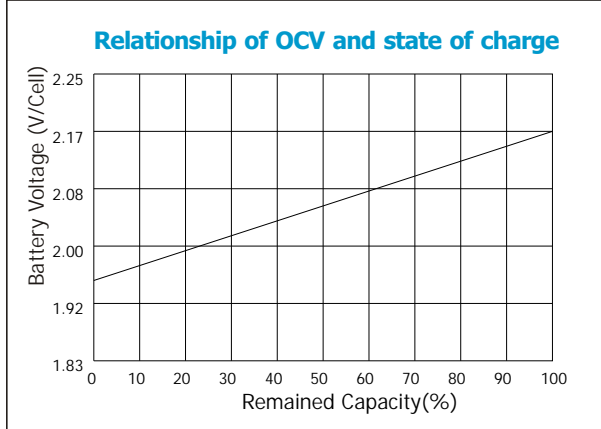
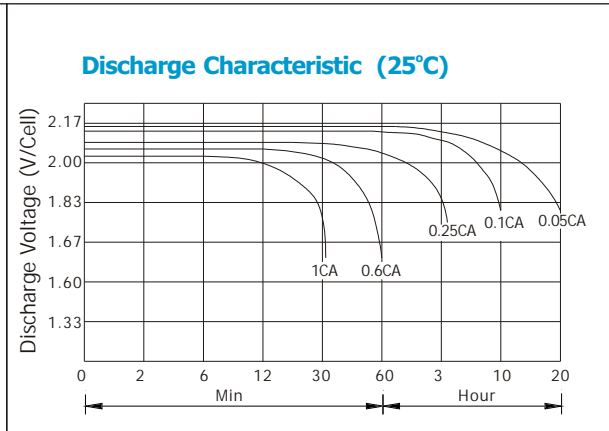
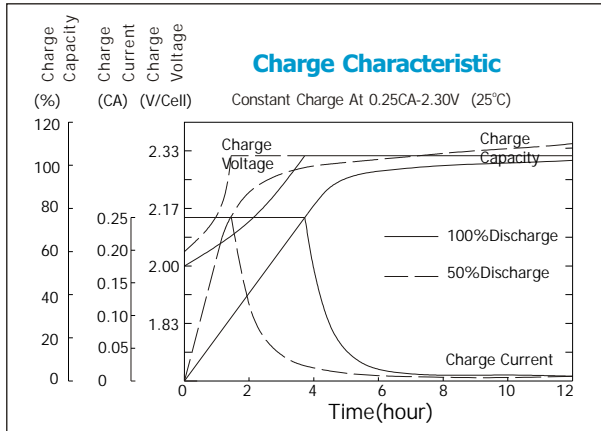
- ComponentRaw material
- PositiveLead dioxide
- NegativeLead
- ContainerAS
- CoverAS
- TerminalCopper
- SeparatorRubber-PVC
- ElectrolyteSulfuric acid



Terminal Dimensions



Battery Model	OPzS 2-420			
Designed Floating Life	15 Years			
Capacity(25°C)	24HR(21.9A,1.85V)	10HR(42A,1.80V)	5HR(72A,1.77V)	1HR(222A,1.67V)
	525AH	420AH	360AH	222AH
Dimensions	Length	Width	Height	Total Height
	145mm(5.71inch)	206mm(8.11inch)	470mm(18.5inch)	525mm(20.67inch)
Approx. Weight	Without electrolyte:23.4 Kg (51.6 lbs)		with electrolyte: 31.5Kg(69.5 lbs)	
Internal Resistance	Full charged at 25°C: 0.0007 Ohm			
Self Discharge	3% of capacity declined per month at (25°C)			
Capacity Affected by Temp.(20HR)	40°C	25°C	0°C	-15°C
	102%	100%	85%	65%
Charge Voltage(25°C)	Cycle use		Float use	
	2.35V-2.4V(-5mV/ °C), max. Current: 63A		2.24V(-3.3mV/ °C)	



Constant current discharge ratings-amperes at 25°C

TIME	1HR	3HR	5HR	10HR	24HR	48HR	72HR	96HR	120HR	240HR
CUT-OFF VOLTAGE	1.67	1.75	1.77	1.80	1.85	1.85	1.85	1.85	1.85	1.85
CAPACITY(AH)	222	315	360	420	525	562	600	605	610	620

Constant power discharge ratings-watts at 25°C

TIME	1HR	3HR	5HR	10HR	24HR	48HR	72HR	96HR	120HR	240HR
CUT-OFF VOLTAGE	1.67	1.75	1.77	1.80	1.85	1.85	1.85	1.85	1.85	1.85
CAPACITY(WH)	395	564	655	722	798	860	918	926	933	949

