

Electric Vehicle SLA Battery

EVX SERIES

Bosfa EVX Series batteries are designed to have a large amount of stored current discharged between charging sessions, with very heavy non-porous battery plates to withstand repeated major discharging and charging cycle (deep cycles). The Bosfa EVX batteries uses a different chemistry for the plates active paste material, and a slightly stronger electrolyte than normal battery electrolyte, which allows for a much longer life in deep cycle applications.

Application

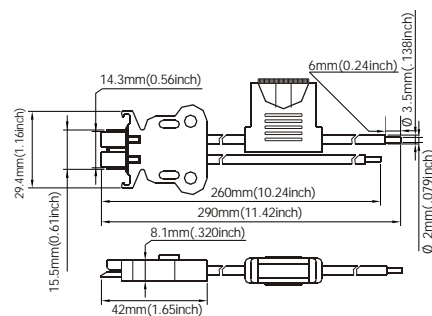
- Electric Powered Vehicles
- Golf Cars and Buggies
- Wheel Chairs
- Power Tools
- Electric Powered Toys
- Control System
- Vacuum Cleaners
- Medical Equipments
- UPS
- Pvs

General Features

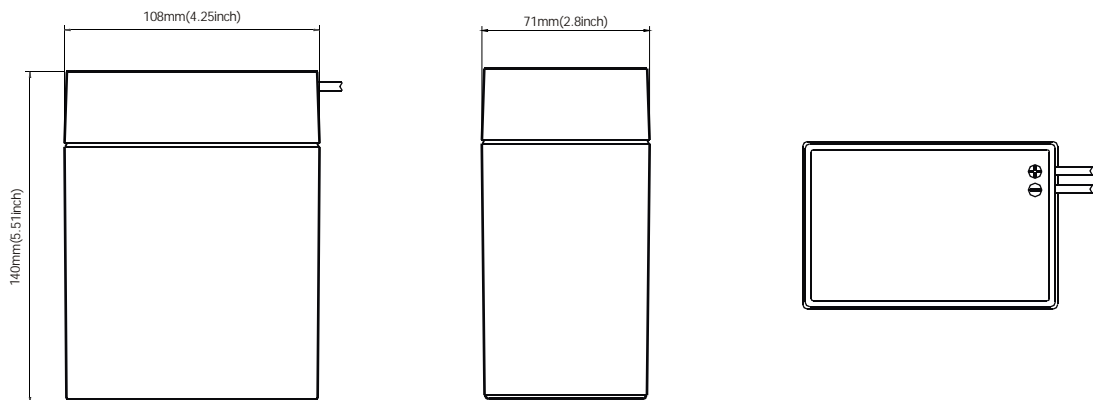
- Sealed and maintenance free operation.
- Non-Spillable construction design.
- ABS containers and covers(UL94HB, UL94V-0) optional.
- Safety valve installation for explosion proof.
- High quality and high reliability.
- Exceptional deep discharge recovery performance.
- Low self discharge characteristic.
- Flexibility design for multiple install positions.

Construction

- ComponentRaw material
- PositiveLead dioxide
- NegativeLead
- ContainerABS
- CoverABS
- SealantEpoxy Resin
- Safety valveEPDR
- TerminalCopper
- SeparatorFibre glass
- ElectrolyteSulfuric acid

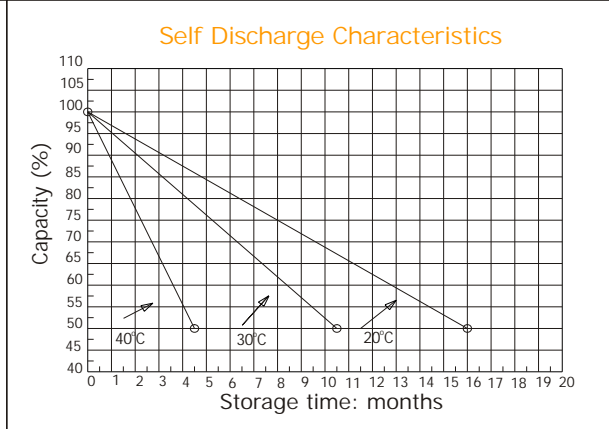
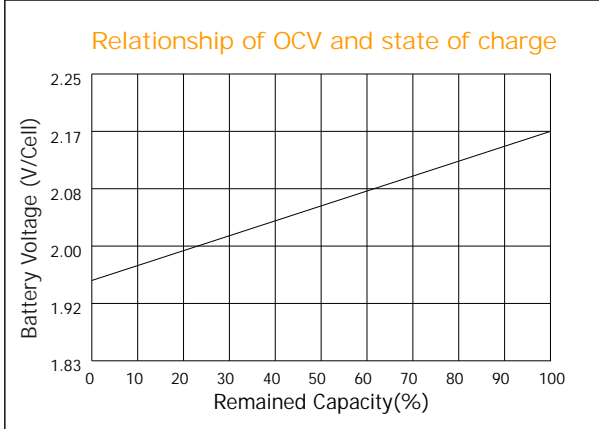
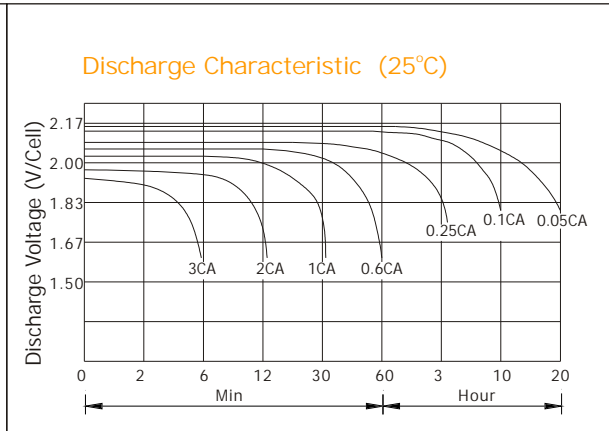
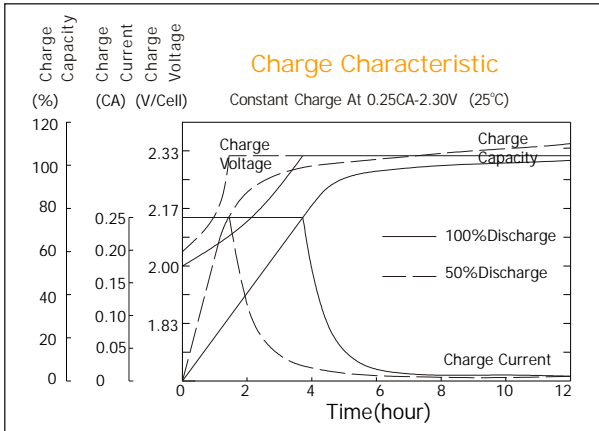


Terminal Dimensions



| Battery Model | EVX6-14 | | | |
|----------------------------------|---|------------------|---------------------|-----------------|
| Designed Floating Life | > 350 cycles @ 100% DOD | | | |
| Capacity(25°C) | 20HR(0.7A,1.75V) | 10HR(1.3A,1.75V) | 2HR(6.0A,1.75V) | 1HR(9A,1.75V) |
| | 14AH | 13AH | 12AH | 9AH |
| Dimensions | Length | Width | Height | Total Height |
| | 108mm(4.25inch) | 71mm(2.80inch) | 140mm(5.51inch) | 140mm(5.51inch) |
| Approx. Weight | 2.3 Kg (5.07 lbs) | | | |
| Internal Resistance | Full charged at 25°C: 0.014 Ohm | | | |
| Self Discharge | 3% of capacity declined per month at (25°C) | | | |
| Capacity Affected by Temp.(20HR) | 40°C | 25°C | 0°C | -15°C |
| | 102% | 100% | 85% | 65% |
| Charge Voltage(25°C) | Cycle use | | Float use | |
| | 7.2-7.5V(-30mV/ °C), max. Current: 4.2A | | 6.8-6.9V(-20mV/ °C) | |

Electric Vehicle SLA Battery



Constant current discharge ratings-amperes at 25°C

| F. V/Time | 5MIN | 10MIN | 15MIN | 30MIN | 1HR | 3HR | 5HR | 10HR | 20HR |
|-----------|------|-------|-------|-------|------|------|------|------|------|
| 1.60V | 54.7 | 34.0 | 25.7 | 15.7 | 9.95 | 4.37 | 2.67 | 1.39 | 0.79 |
| 1.67V | 51.3 | 32.3 | 24.7 | 15.0 | 9.82 | 4.20 | 2.61 | 1.37 | 0.76 |
| 1.70V | 47.0 | 31.1 | 24.1 | 13.6 | 9.52 | 3.92 | 2.56 | 1.37 | 0.75 |
| 1.75V | 46.1 | 30.1 | 23.3 | 12.9 | 9.07 | 3.79 | 2.50 | 1.35 | 0.73 |
| 1.80V | 41.3 | 28.8 | 21.2 | 12.0 | 8.49 | 3.64 | 2.35 | 1.33 | 0.71 |
| 1.85V | 36.4 | 27.4 | 19.1 | 11.0 | 7.91 | 3.51 | 2.20 | 1.31 | 0.69 |

Constant power discharge ratings-watts at 25°C

| F. V/Time | 5MIN | 10MIN | 15MIN | 30MIN | 1HR | 3HR | 5HR | 10HR | 20HR |
|-----------|------|-------|-------|-------|------|------|------|------|------|
| 1.60V | 95.9 | 61.4 | 46.9 | 28.2 | 18.0 | 7.75 | 4.51 | 2.77 | 1.57 |
| 1.67V | 92.6 | 59.9 | 46.3 | 27.6 | 17.8 | 7.50 | 4.49 | 2.76 | 1.51 |
| 1.70V | 87.2 | 59.3 | 45.9 | 25.9 | 17.5 | 7.17 | 4.43 | 2.74 | 1.49 |
| 1.75V | 87.7 | 59.1 | 45.5 | 25.1 | 17.2 | 7.00 | 4.39 | 2.70 | 1.46 |
| 1.80V | 80.3 | 58.2 | 42.2 | 23.9 | 16.2 | 6.79 | 4.26 | 2.67 | 1.42 |
| 1.85V | 72.8 | 55.3 | 38.3 | 22.4 | 15.3 | 6.59 | 4.12 | 2.63 | 1.36 |

