

**OPzS Series SLA Battery**

**Opzs Series**

Bosfa Opzs Series Lead Acid batteries are designed with a combination of die-casting Tubular positive framework and superfluous electrolyte technologies to offer a very high lever of reliability and a long service life. Opzs batteries used special filter and proof design to ensure no acid fog runs over and burning proof, and also convenient examine and maintenance.

**Application**

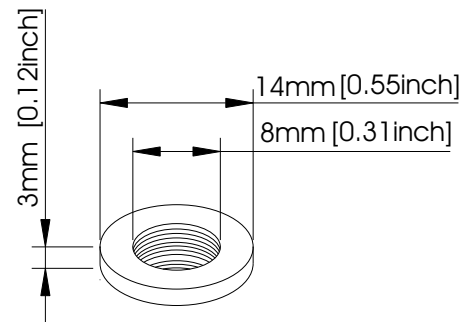
- |                    |                           |
|--------------------|---------------------------|
| Telecommunications | Medical Equipment         |
| Cable Television   | UPS                       |
| Electric Utility   | Railroad Utility          |
| Control Equipment  | Photovoltaic System       |
| Security System    | Alternative Energy System |

**General Features**

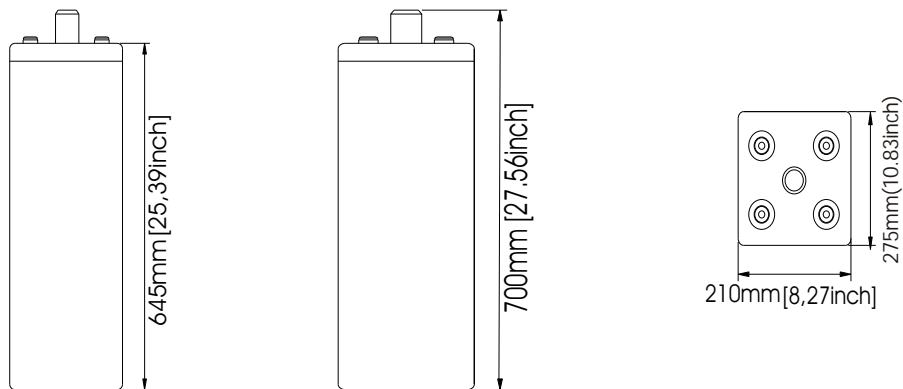
- Maintenance convenient.
- Non-Spillable construction design.
- Transparent containers, convenient to observe.
- Special filter installation for acid fog proof.
- High quality and high reliability.
- Super long service life.
- Special pole sealed technology.
- Super reliability.

**Construction**

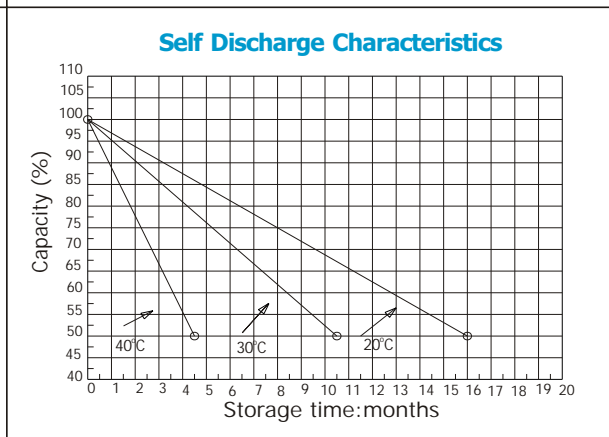
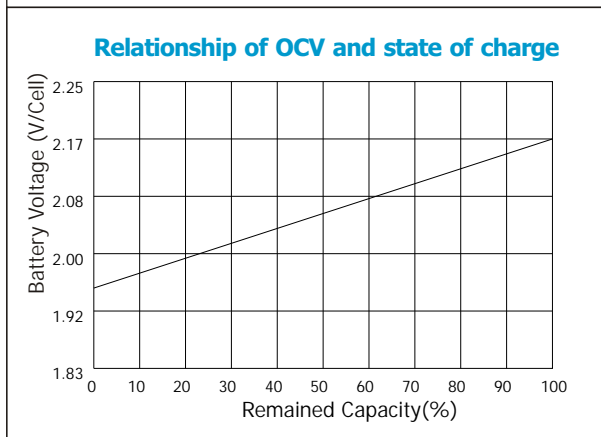
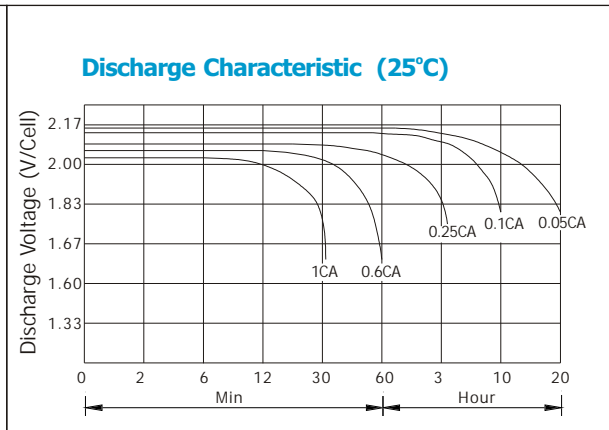
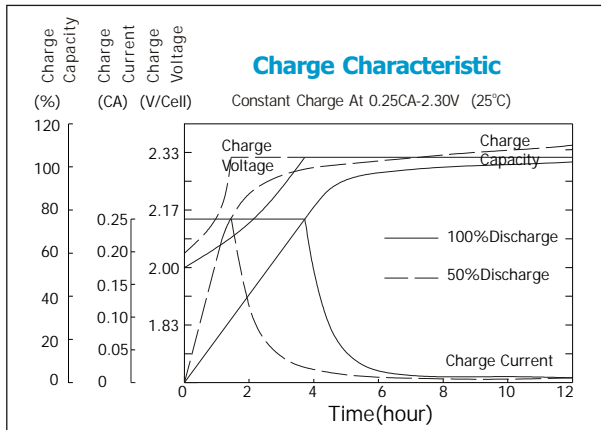
- |           |                   |             |                    |
|-----------|-------------------|-------------|--------------------|
| Component | .....Raw material | Terminal    | .....Copper        |
| Positive  | .....Lead dioxide | Separator   | .....Rubber-PVC    |
| Negative  | .....Lead         | Electrolyte | .....Sulfuric acid |
| Container | .....AS           |             |                    |
| Cover     | .....AS           |             |                    |



**Terminal Dimensions**



Battery Model	OPzS 2-1200			
Designed Floating Life	15 Years			
Capacity(25°C)	24HR(60.8A,1.85V)	10HR(120A,1.80V)	5HR(206.5A,1.77V)	1HR(624A,1.67V)
	1460AH	1200AH	1032AH	624AH
Dimensions	Length	Width	Height	Total Height
	275mm(10.83inch)	210mm(8.27inch)	645mm(25.39inch)	700mm(27.56inch)
Approx. Weight	Without electrolyte:65.8 Kg (145.1 lbs)		with electrolyte: 88.0Kg(194.0 lbs)	
Internal Resistance	Full charged at 25°C: 0.00055 Ohm			
Self Discharge	3% of capacity declined per month at (25°C)			
Capacity Affected by Temp.(20HR)	40°C	25°C	0°C	-15°C
	102%	100%	85%	65%
Charge Voltage(25°C)	Cycle use		Float use	
	2.35V-2.4V(-5mV/ °C), max. Current: 180A		2.24V(-3.3mV/ °C)	



**Constant current discharge ratings-amperes at 25°C**

TIME	1HR	3HR	5HR	10HR	24HR	48HR	72HR	96HR	120HR	240HR
CUT-OFF VOLTAGE	1.67	1.75	1.77	1.80	1.85	1.85	1.85	1.85	1.85	1.85
CAPACITY(AH)	624	900	1032	1200	1460	1608	1725	1730	1740	1760

**Constant power discharge ratings-watts at 25°C**

TIME	1HR	3HR	5HR	10HR	24HR	48HR	72HR	96HR	120HR	240HR
CUT-OFF VOLTAGE	1.67	1.75	1.77	1.80	1.85	1.85	1.85	1.85	1.85	1.85
CAPACITY(WH)	980	1548	2002	2208	2336	2573	2760	2768	2784	2816

