

OPzV Series SLA Battery

Opzv Series

Bosfa Opzv Series Valve Regulated Lead Acid batteries are designed with a proven combination of GEL and Tubular technologies to offer a very high lever of reliability. Opzv batteries benefit from an optimized plate design which gives capacities in excess of the DIN standard values. In addition, this series offers both a longest float life and a high cycle life in widely industrial field.

Application

- | | |
|--------------------|---------------------------|
| Telecommunications | Medical Equipment |
| Cable Television | UPS |
| Electric Utility | Railroad Utility |
| Control Equipment | Photovoltaic System |
| Security System | Alternative Energy System |

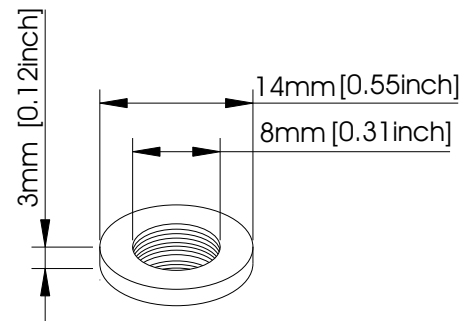


General Features

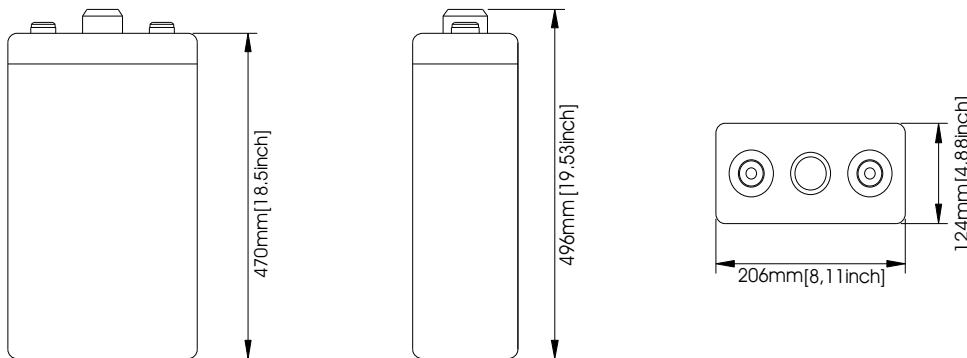
- Sealed and maintenance free operation.
- Non-Spillable construction design.
- ABS containers and covers(UL94HB, UL94V-0) optional.
- Safety valve installation for explosion proof.
- High quality and high reliability.
- Super long service life.
- Lowest self discharge characteristic.
- Super reliability.

Construction

- | | | | |
|-----------|-------------------|--------------|---------------------------------------|
| Component |Raw material | Sealant |Epoxy Resin |
| Positive |Lead dioxide | Safety valve |EPDR |
| Negative |Lead | Terminal |Copper |
| Container |ABS | Separator |PVC-SiO2 |
| Cover |ABS | Electrolyte |Sulfuric acid
Thixotropic Gel |

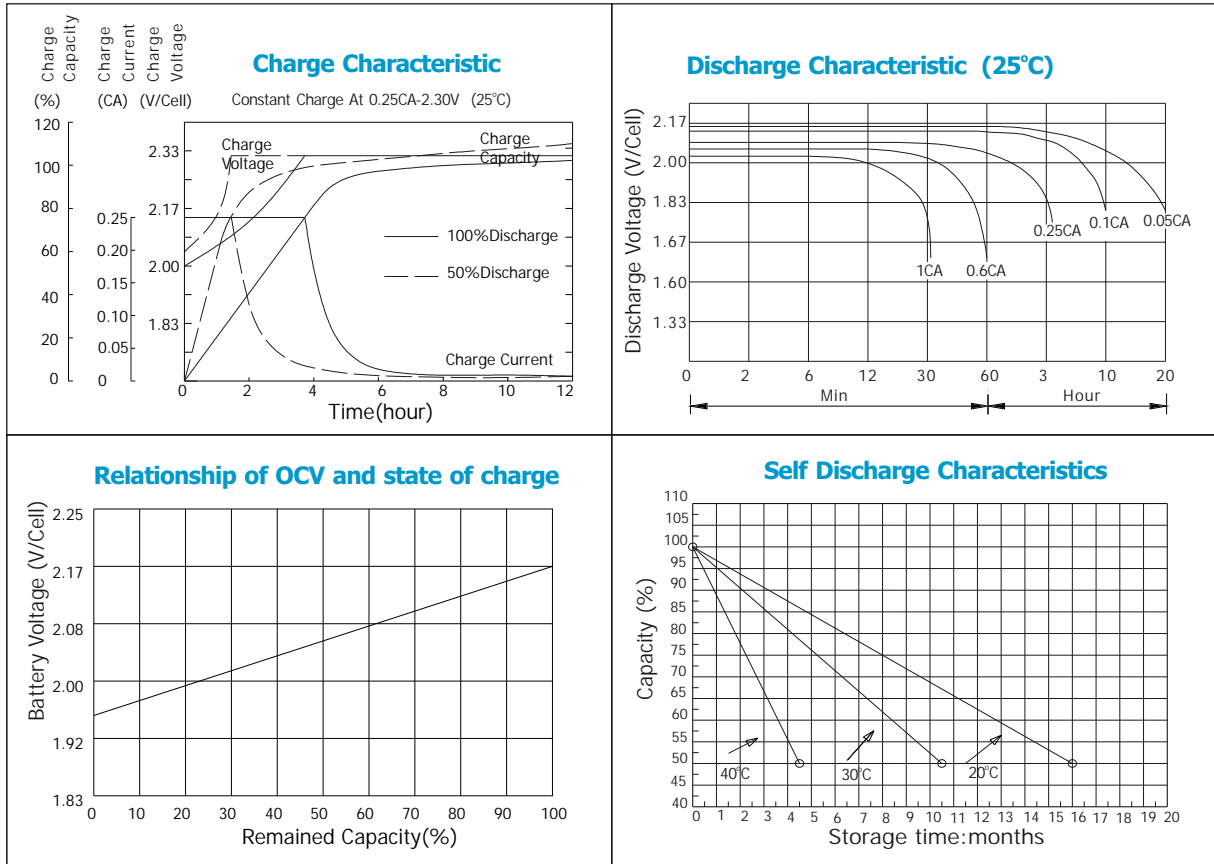


Terminal Dimensions



Battery Model	OPzV 2-350			
Designed Floating Life	15 Years			
Capacity(25°C)	20HR(17.5A,1.75V)	10HR(35A,1.75V)	5HR(63A,1.75V)	1HR(235A,1.75V)
	360AH	350AH	315AH	235AH
Dimensions	Length	Width	Height	Total Height
	124mm(4.88inch)	206mm(8.11inch)	470mm(18.5inch)	496mm(19.53inch)
Approx. Weight	31Kg (68.36 lbs)			
Internal Resistance	Full charged at 25°C: 0.00075 Ohm			
Self Discharge	3% of capacity declined per month at (25°C)			
Capacity Affected by Temp.(20HR)	40°C	25°C	0°C	-15°C
	102%	100%	85%	65%
Charge Voltage(25°C)	Cycle use		Float use	
	2.3V-2.35V(-5mV/ °C), max. Current: 70A		2.25-2.27V(-3.3mV/ °C)	

OPzV Series SLA Battery



Constant current discharge ratings-amperes at 25°C

F.V/Time	15MIN	30MIN	1HR	2HR	3HR	5HR	8HR	10HR	20HR
1.70V	408	312	202	125	92.0	63.5	44.5	38.0	22.2
1.75V	368	290	196	122	90.5	63.0	44.0	37.0	21.8
1.80V	320	265	185	117	87.5	61.5	43.0	36.5	21.9
1.83V	290	244	175	113	85.0	60.0	42.5	34.5	21.0
1.87V	250	216	158	106	80.5	57.0	40.5	34.0	21.0
1.90V	208	195	145	98.0	76.0	53.0	39.0	33.0	19.5

Constant power discharge ratings-watts at 25°C

F.V/Time	15MIN	30MIN	1HR	2HR	3HR	5HR	8HR	10HR	20HR
1.70V	668	545	365	245	166	111	80.4	70.1	41.0
1.75V	590	508	341	237	167	111	79.9	68.9	40.6
1.80V	489	454	335	214	160	108	77.6	68.4	41.1
1.83V	508	397	316	215	157	104	75.6	64.8	39.5
1.87V	385	334	286	195	147	98.4	69.6	63.5	39.2
1.90V	369	358	277	176	129	90.1	67.3	61.9	36.5

