

**OPzV Series SLA Battery**

**Opzv Series**

Bosfa Opzv Series Valve Regulated Lead Acid batteries are designed with a proven combination of GEL and Tubular technologies to offer a very high lever of reliability. Opzv batteries benefit from an optimized plate design which gives capacities in excess of the DIN standard values. In addition, this series offers both a longest float life and a high cycle life in widely industrial field.

**Application**

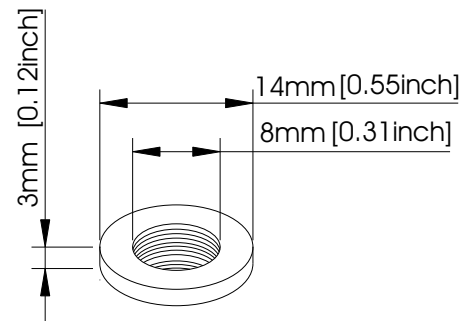
- |                    |                           |
|--------------------|---------------------------|
| Telecommunications | Medical Equipment         |
| Cable Television   | UPS                       |
| Electric Utility   | Railroad Utility          |
| Control Equipment  | Photovoltaic System       |
| Security System    | Alternative Energy System |

**General Features**

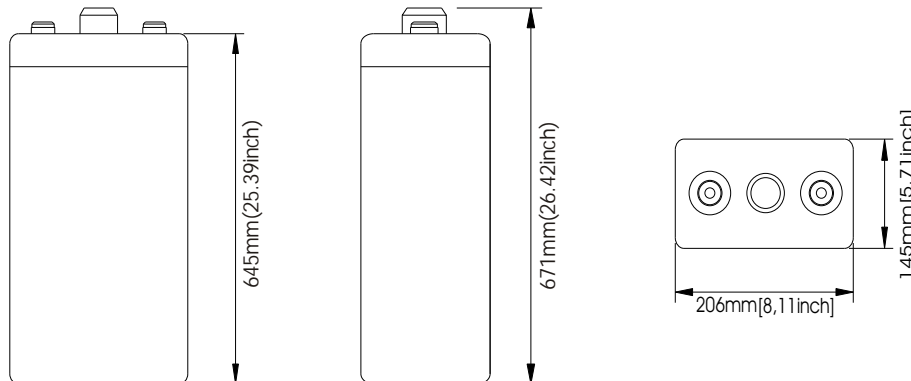
- Sealed and maintenance free operation.
- Non-Spillable construction design.
- ABS containers and covers(UL94HB, UL94V-0) optional.
- Safety valve installation for explosion proof.
- High quality and high reliability.
- Super long service life.
- Lowest self discharge characteristic.
- Super reliability.

**Construction**

- |           |                   |              |                           |
|-----------|-------------------|--------------|---------------------------|
| Component | .....Raw material | Sealant      | .....Epoxy Resin          |
| Positive  | .....Lead dioxide | Safety valve | .....EPDR                 |
| Negative  | .....Lead         | Terminal     | .....Copper               |
| Container | .....ABS          | Separator    | .....PVC-SiO <sub>2</sub> |
| Cover     | .....ABS          | Electrolyte  | .....Sulfuric acid        |
|           |                   |              | Thixotropic Gel           |

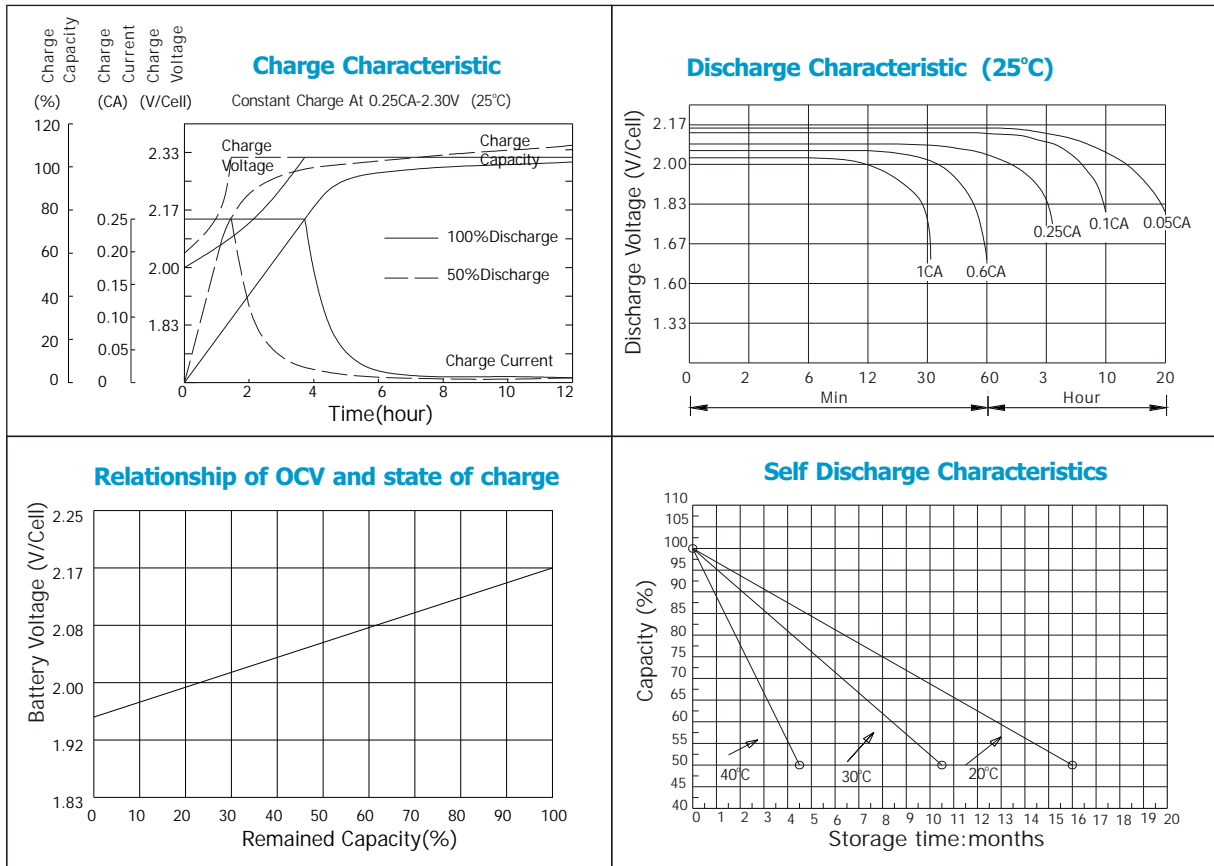


**Terminal Dimensions**



Battery Model	OPzV 2-600			
Designed Floating Life	15 Years			
Capacity(25°C)	20HR(31A,1.75V)	10HR(60A,1.75V)	5HR(101A,1.75V)	1HR(365A,1.75V)
	620AH	600AH	505AH	365AH
Dimensions	Length	Width	Height	Total Height
	145mm(5.71inch)	206mm(8.11inch)	645mm(25.39inch)	671mm(26.42inch)
Approx. Weight	50 Kg (110.25 lbs)			
Internal Resistance	Full charged at 25°C: 0.00063 Ohm			
Self Discharge	3% of capacity declined per month at (25°C)			
Capacity Affected by Temp.(20HR)	40°C	25°C	0°C	-15°C
	102%	100%	85%	65%
Charge Voltage(25°C)	Cycle use		Float use	
	2.3V-2.35V(-5mV/ °C), max. Current: 120A		2.25-2.27V(-3.3mV/ °C)	

**OPzV Series SLA Battery**



**Constant current discharge ratings-amperes at 25°C**

F.V/Time	15MIN	30MIN	1HR	2HR	3HR	5HR	8HR	10HR	20HR
1.70V	636	516	351	242	159	107	73.5	62.0	34.3
1.75V	564	468	336	208	156	106	73.2	61.0	34.2
1.80V	492	420	312	199	150	104	72.0	60.0	34.1
1.83V	444	378	288	192	146	102	70.5	58.5	33.9
1.87V	360	330	258	177	137	97.5	67.2	56.0	33.8
1.90V	312	294	234	165	129	92.5	64.5	53.5	32.3

**Constant power discharge ratings-watts at 25°C**

F.V/Time	15MIN	30MIN	1HR	2HR	3HR	5HR	8HR	10HR	20HR
1.70V	1096	894	637	459	322	219	146	118	65.0
1.75V	1009	857	665	396	311	215	143	115	64.4
1.80V	895	805	584	385	302	213	141	115	64.0
1.83V	822	690	537	368	296	202	134	113	63.5
1.87V	778	654	524	370	292	199	130	110	63.1
1.90V	644	599	477	353	265	195	125	104	62.7

