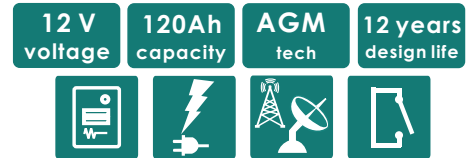


DURATION SERIES VRLA BATTERY

By combining a newly developed corrosion resistance alloy and advanced curing process, we've created a range of long life batteries - Duration range. The range features top termination and offers 12 years design life. This battery series is highly suited to UPS systems, switchgear, CATV and telecommunication systems applications.



TECHNICAL SPECIFICATIONS

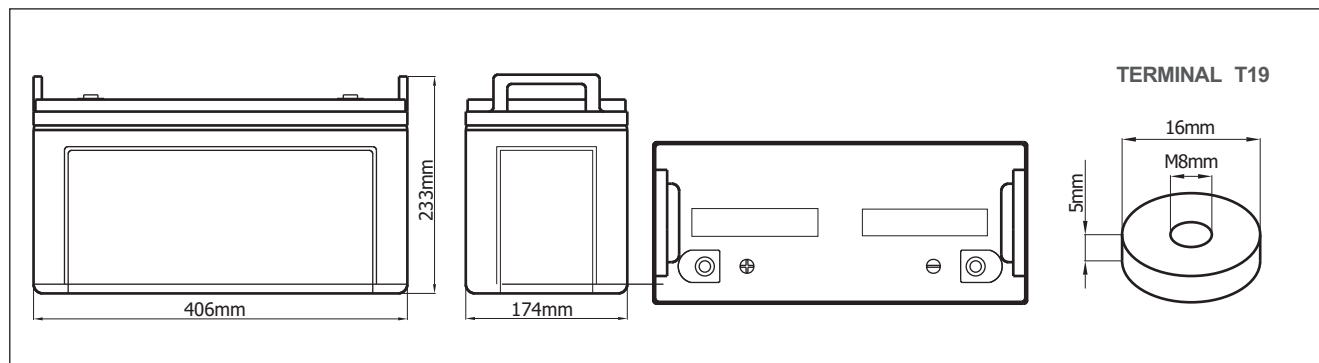
Nominal Voltage (V)	12 (6 cells per unit)
Designed Floating Life (20°C)	12 Years
Nominal Capacity (20°C)	120 Ah @ 10HR-rate (to 1.80Vpc)
Dimension (mm)	L406mm x W174mm x H233mm
Approx. Weight	33.0 kg (72.8 lbs)
Terminal Type	Female Copper Insert M8 (torque:10~12N.m)
Internal Resistance	Approx. 0.004 Ohm (fully charged @ 20°C)
Max. Charge Current	30A
Max. Discharge Current (5S)	960 A
Short Circuit Current	3000 A
Self Discharge	Approx. 3% per month @ 20°C
Ambient Temperature	Discharge: -20~60°C Charge: -20~60°C Storage: -20~45°C
Float Charge Voltage (20~25°C)	13.6-13.8V (-3mV/ cell/ °C)
Equalize and cycle Use Charge Voltage (20~25°C)	14.4-14.8V (-5mV/ cell / °C)
Container Material	ABS (UL94-V0 optional)



Complied standards

- IEC 60896-21/22
- JIS C8704
- GB/T19639

BATTERY DIMENSIONS

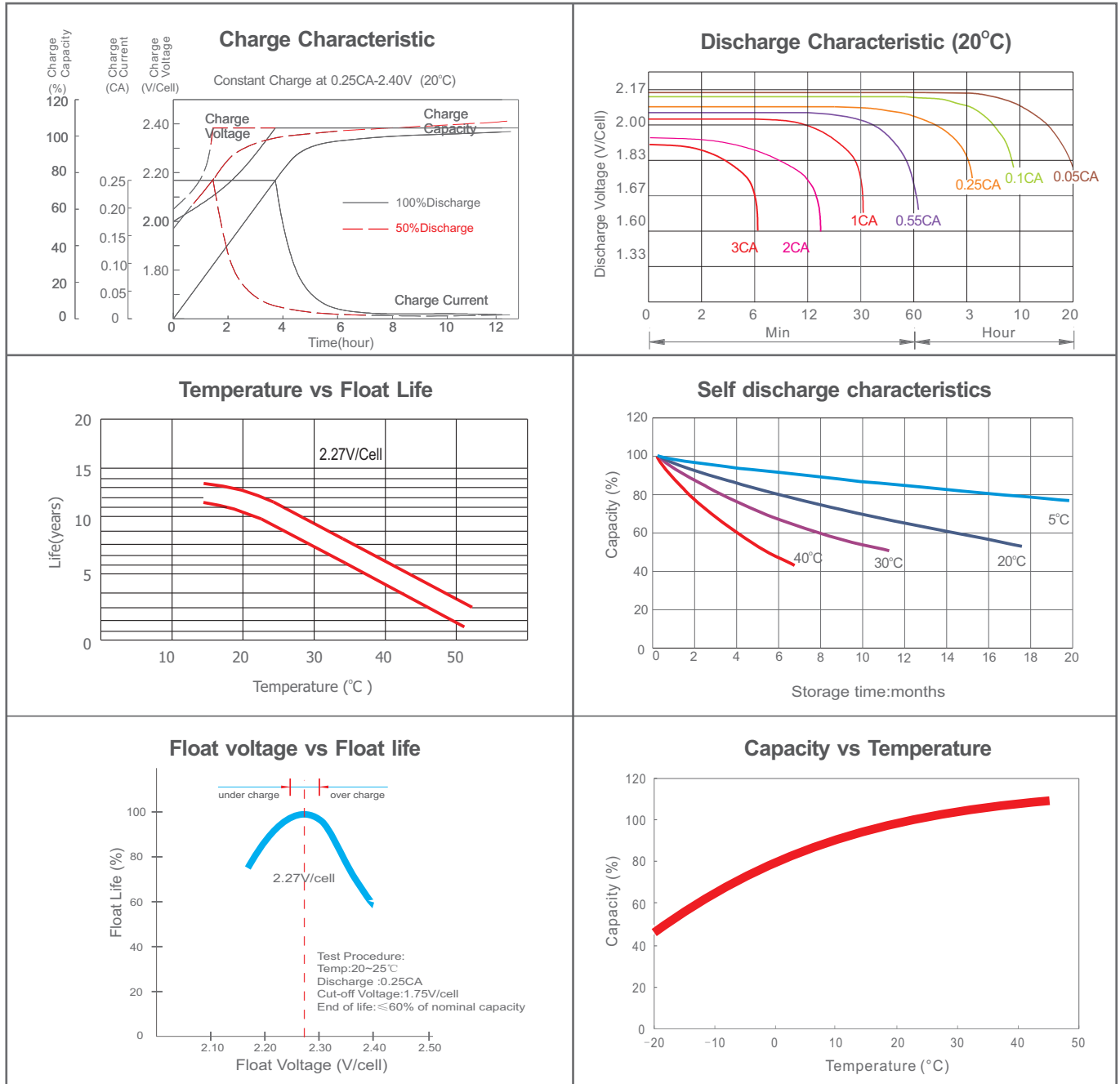


BATTERY DISCHARGE TABLE

Constant Current Discharge Characteristics: Amps (25°C)												
F.V/Time	5 m in	10 m in	15 m in	30 m in	1 h	2 h	3 h	4 h	5 h	8 h	10 h	20 h
1.60V	360	266	219	135	81.1	47.1	34.0	27.1	22.6	15.4	12.7	6.85
1.67V	321	245	207	129	79.0	46.3	33.6	26.8	22.3	15.2	12.6	6.70
1.70V	287	222	195	124	77.1	45.7	33.2	26.5	22.1	15.0	12.4	6.54
1.75V	249	207	181	120	75.6	44.9	32.7	26.2	21.8	14.8	12.2	6.42
1.80V	220	188	169	115	73.1	43.9	32.0	25.6	21.3	14.5	12.0	6.30
1.85V	189	169	154	108	69.9	42.2	31.0	24.8	20.8	14.2	11.7	6.15

Constant Power Discharge Characteristics: W/cell (25°C)												
F.V/Time	5 m in	10 m in	15 m in	30 m in	1 h	2 h	3 h	4 h	5 h	8 h	10 h	20 h
1.60V	634	477	400	250	151	88.5	64.2	51.4	43.0	29.6	24.6	13.3
1.67V	573	445	380	240	148	87.5	63.8	51.0	42.8	29.4	24.4	13.1
1.70V	518	408	362	233	146	87.0	63.5	50.9	42.7	29.3	24.3	12.9
1.75V	456	384	340	227	144	86.2	63.1	50.7	42.5	29.1	24.1	12.7
1.80V	408	353	320	219	140	85.1	62.4	50.0	41.8	28.7	23.8	12.6
1.85V	355	321	294	208	136	82.6	60.9	49.0	41.1	28.2	23.4	12.4

CHARACTERISTICS



FINAL VOLTAGE SETTINGS RECOMMENDED ACCORDING TO THE DISCHARGE CURRENT

Discharge Current I (A)	$I \leq 0.08C$	$0.08C \leq I < 0.2C$	$0.2C \leq I < 0.6C$	$0.6C \leq I < 1.0C$	$I \geq 1.0C$
Final of Voltage	$\geq 1.85V_{pc}$	$\geq 1.80V_{pc}$	$\geq 1.75V_{pc}$	$\geq 1.70V_{pc}$	$\geq 1.60V_{pc}$