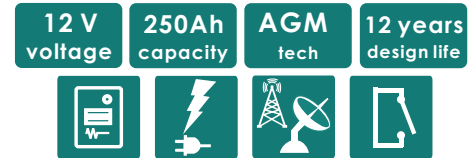


DURATION SERIES VRLA BATTERY

By combining a newly developed corrosion resistance alloy and advanced curing process, bosfa created a range of long life batteries - Duration range. The range features top termination and offers 12 years design life. This battery series is highly suited to UPS systems, switchgear, CATV and telecommunication systems applications.



TECHNICAL SPECIFICATIONS

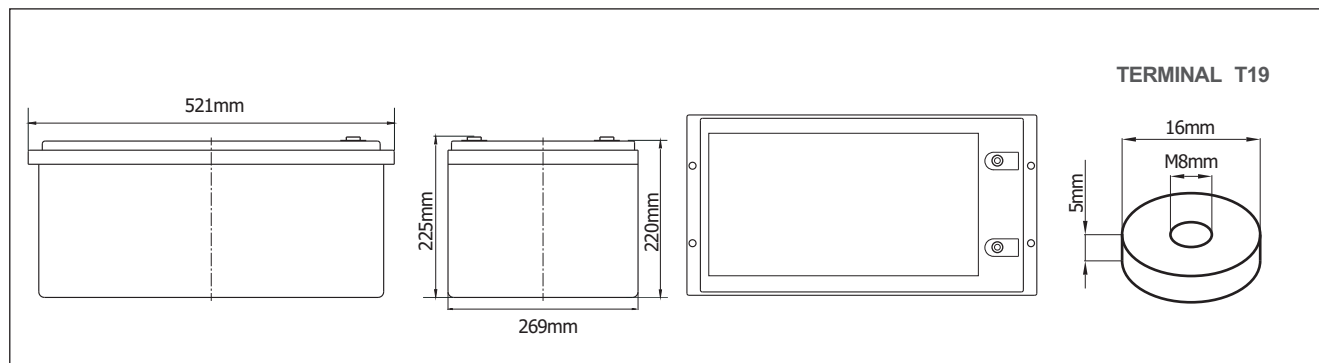
Nominal Voltage (V)	12 (6 cells per unit)
Designed Floating Life (20°C)	12 Years
Nominal Capacity (20°C)	250 Ah @ 10HR-rate (to 1.80Vpc)
Dimension (mm)	L521mm x W269mm x H225mm
Approx. Weight	70.0 kg (154 lbs)
Terminal Type	Female Copper Insert M8 (torque:10~12N.m)
Internal Resistance	Approx. 0.0026 Ohm (fully charged @ 20°C)
Max. Charge Current	62.5 A
Max. Discharge Current (5S)	1000 A
Short Circuit Current	4600 A
Self Discharge	Approx. 3% per month @ 20°C
Ambient Temperature	Discharge: -20~60°C Charge: -20~60°C Storage: -20~45°C
Float Charge Voltage (20~25°C)	13.6-13.8V (-3mV/ cell/ °C)
Equalize and cycle Use Charge Voltage (20~25°C)	14.4-14.8V (-5mV/ cell / °C)
Container Material	ABS (UL94-V0 optional)



Complied standards

- IEC 60896-21/22
- JIS C8704
- GB/T19639

BATTERY DIMENSIONS

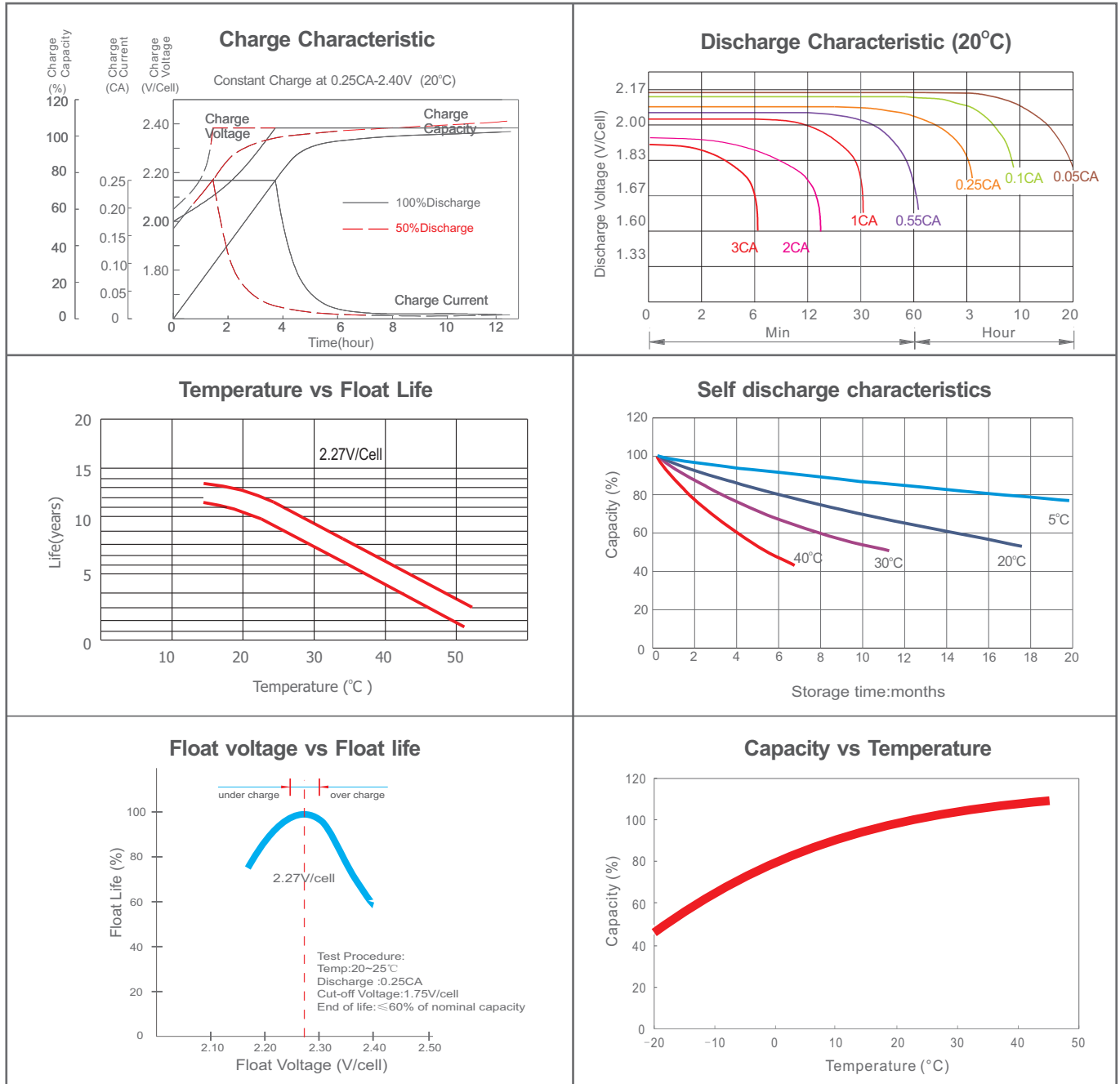


BATTERY DISCHARGE TABLE

Constant Current Discharge Characteristics: Amps (25°C)											
F.V/Time	10m in	15m in	30m in	1h	2h	3h	4h	5h	8h	10h	20h
1.60V	499	426	276	167	98.1	70.8	56.5	47.1	32.1	26.5	14.3
1.67V	460	401	264	163	96.4	70.0	55.7	46.4	31.7	26.2	14.0
1.70V	418	379	254	159	95.2	69.2	55.2	46.0	31.3	25.9	13.6
1.75V	388	352	245	156	93.5	68.1	54.6	45.4	30.9	25.5	13.4
1.80V	353	328	234	151	91.5	66.8	53.3	44.4	30.2	25.0	13.1
1.85V	318	299	221	144	88.0	64.6	51.8	43.3	29.5	24.4	12.8

Constant Power Discharge Characteristics: W/cell (25°C)											
F.V/Time	10m in	15m in	30m in	1h	2h	3h	4h	5h	8h	10h	20h
1.60V	897	776	510	312	184	134	107	89.6	61.7	51.2	27.7
1.67V	836	737	490	305	182	133	106	89.1	61.3	50.9	27.3
1.70V	767	703	475	300	181	132	105	88.9	61.0	50.6	26.9
1.75V	721	659	463	297	180	131	104	88.5	60.6	50.3	26.5
1.80V	663	621	446	289	177	130	102	87.1	59.7	49.7	26.2
1.85V	604	571	425	280	172	127	100	85.7	58.8	48.7	25.8

CHARACTERISTICS



FINAL VOLTAGE SETTINGS RECOMMENDED ACCORDING TO THE DISCHARGE CURRENT

Discharge Current I (A)	$I \leq 0.08C$	$0.08C \leq I < 0.2C$	$0.2C \leq I < 0.6C$	$0.6C \leq I < 1.0C$	$I \geq 1.0C$
Final of Voltage	$\geq 1.85V_{pc}$	$\geq 1.80V_{pc}$	$\geq 1.75V_{pc}$	$\geq 1.70V_{pc}$	$\geq 1.60V_{pc}$

HEADQUARTERS

BOSFA Company Limited (HQ)