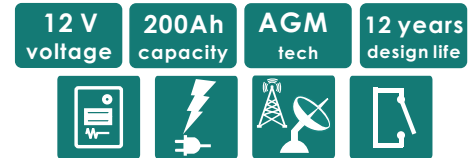


## DURATION SERIES VRLA BATTERY

By combining a newly developed corrosion resistance alloy and advanced curing process, bosfa created a range of long life batteries - Duration range. The range features top termination and offers 12 years design life. This battery series is highly suited to UPS systems, switchgear, CATV and telecommunication systems applications.



### TECHNICAL SPECIFICATIONS

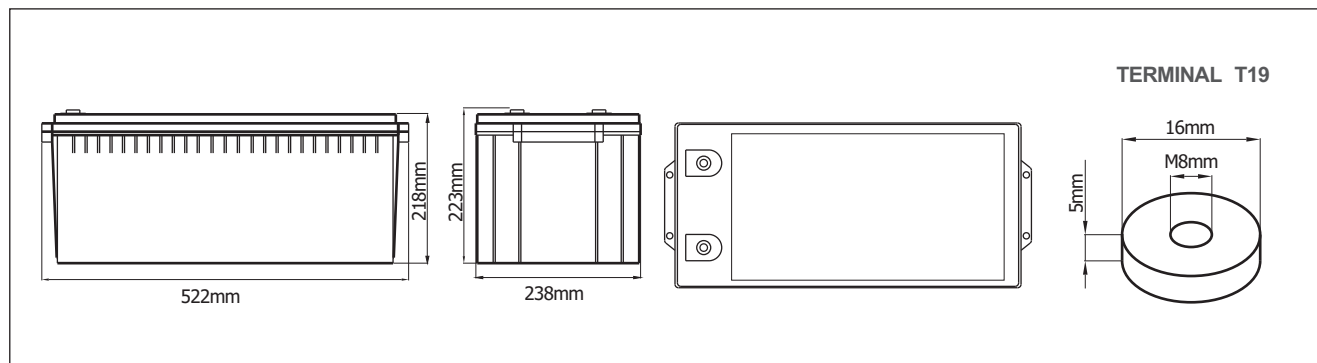
Nominal Voltage (V)	12 (6 cells per unit)
Designed Floating Life (20°C)	12 Years
Nominal Capacity (20°C)	200 Ah @ 10HR-rate (to 1.80Vpc)
Dimension (mm)	L522mm x W238mm x H223mm
Approx. Weight	57.5 kg (126.8 lbs)
Terminal Type	Female Copper Insert M8 (torque:10~12N.m)
Internal Resistance	Approx. 0.003 Ohm (fully charged @ 20°C)
Max. Charge Current	50 A
Max. Discharge Current (5S)	1000 A
Short Circuit Current	4000 A
Self Discharge	Approx. 3% per month @ 20°C
Ambient Temperature	Discharge: -20~60°C Charge: -20~60°C Storage: -20~45°C
Float Charge Voltage (20~25°C)	13.6-13.8V (-3mV/ cell/ °C)
Equalize and cycle Use Charge Voltage (20~25°C)	14.4-14.8V (-5mV/ cell / °C)
Container Material	ABS (UL94-V0 optional)



### Complied standards

- IEC 60896-21/22
- JIS C8704
- GB/T19639

### BATTERY DIMENSIONS

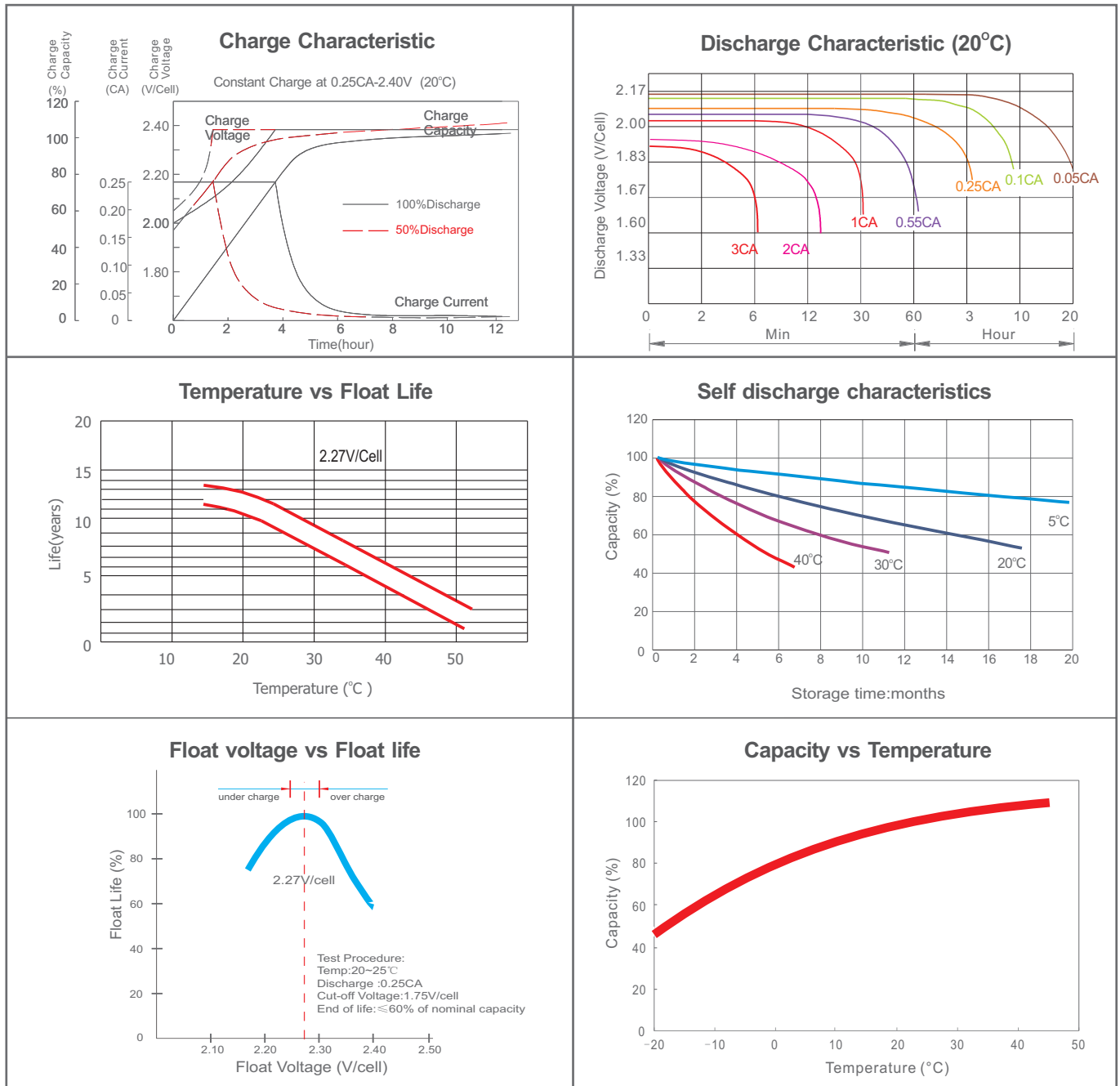


### BATTERY DISCHARGE TABLE

Constant Current Discharge Characteristics: Amps (25°C)												
F.V/Time	5 m in	10 m in	15 m in	30 m in	1 h	2 h	3 h	4 h	5 h	8 h	10 h	20 h
1.60V	525	400	340	221	134	78.5	56.7	45.2	37.6	25.7	21.2	11.4
1.67V	468	368	321	211	130	77.2	56.0	44.6	37.1	25.4	20.9	11.2
1.70V	418	335	303	203	127	76.1	55.3	44.1	36.8	25.1	20.7	10.9
1.75V	363	311	281	196	125	74.8	54.5	43.6	36.4	24.7	20.4	10.7
1.80V	321	283	262	187	121	73.2	53.4	42.6	35.5	24.1	20.0	10.5
1.85V	275	254	239	177	115	70.4	51.7	41.4	34.6	23.6	19.5	10.3

Constant Power Discharge Characteristics: W/cell (25°C)												
F.V/Time	5 m in	10 m in	15 m in	30 m in	1 h	2 h	3 h	4 h	5 h	8 h	10 h	20 h
1.60V	923	718	621	408	249	133	96.3	77.1	64.5	44.5	36.9	19.9
1.67V	835	669	589	392	244	131	95.8	76.5	64.1	44.1	36.6	19.6
1.70V	754	614	562	380	240	130	95.3	76.3	64.0	43.9	36.4	19.3
1.75V	664	577	527	370	237	129	94.6	76.1	63.7	43.7	36.2	19.1
1.80V	595	530	496	357	232	128	93.6	75.0	62.7	43.0	35.8	18.9
1.85V	518	483	457	340	224	124	91.3	73.5	61.7	42.3	35.0	18.5

CHARACTERISTICS



**FINAL VOLTAGE SETTINGS RECOMMENDED ACCORDING TO THE DISCHARGE CURRENT**

Discharge Current I (A)	$I \leq 0.08C$	$0.08C \leq I < 0.2C$	$0.2C \leq I < 0.6C$	$0.6C \leq I < 1.0C$	$I \geq 1.0C$
Final of Voltage	$\geq 1.85V_{pc}$	$\geq 1.80V_{pc}$	$\geq 1.75V_{pc}$	$\geq 1.70V_{pc}$	$\geq 1.60V_{pc}$