

Deep Cycle SLA Battery

Range Summary

By combining up-to-date DCP additives in the positive plates and special AGM separators, bosfa created an innovative range of DC batteries. The range features 70% higher cyclic life with 12 years of float life when compared with standard Duration range. The battery series is highly suited to very unreliable power applications requiring the batteries to provide extra cyclic life performance such as outdoor applications, small RE systems and electric vehicles.

Application

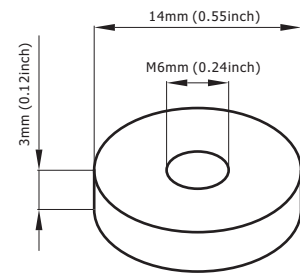
- Solar Energy System
- Golf Cars and Buggies
- Electric Powered Vehicles
- Wheel Chairs
- Power Tools
- Electric Powered Toys
- Control System
- Vacuum Cleaners
- Medical Equipments
- UPS

General Features

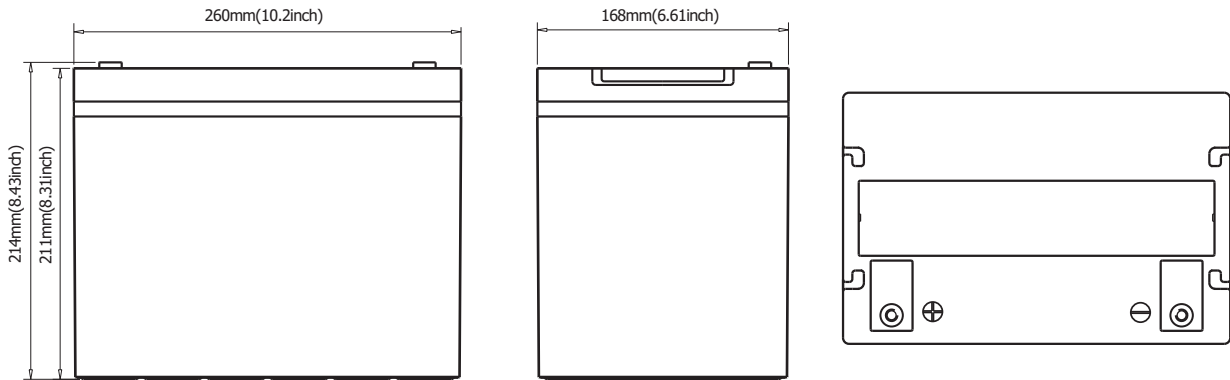
- Sealed and maintenance free operation.
- Non-Spillable construction design.
- ABS containers and covers(UL94 V0,optional).
- Safety valve installation for explosion proof.
- High quality and high reliability.
- Exceptional deep discharge recovery performance.
- Low self discharge characteristic.
- Flexible design for multiple installation positions.

Construction

- Positive .....Lead dioxide
- Negative .....Lead
- Container .....ABS
- Cover .....ABS
- Sealant .....Epoxy Resin
- Safety valve ....EPDR
- Terminal .....Copper
- Separator .....AGM
- Electrolyte .....Sulfuric acid

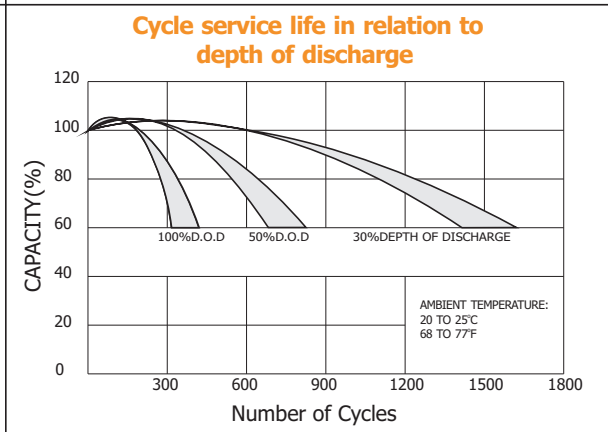
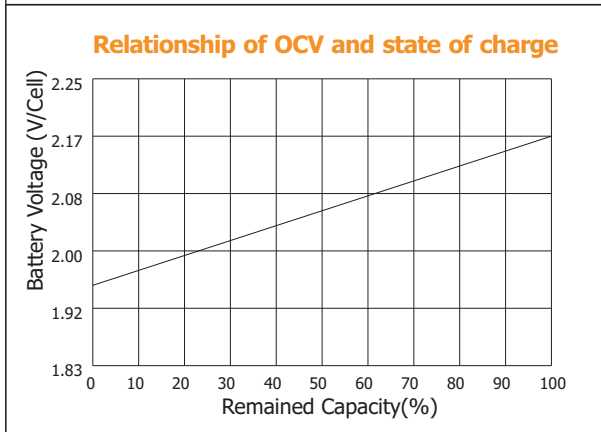
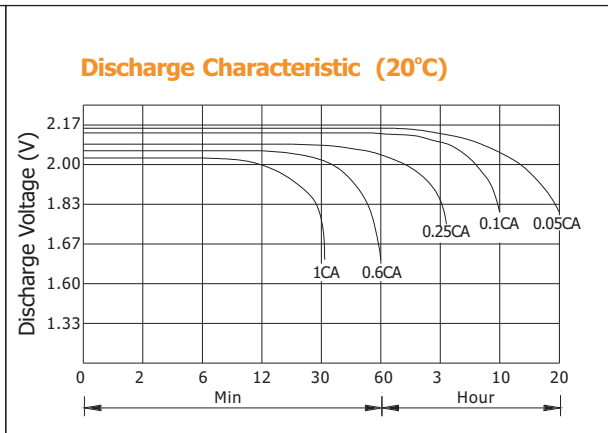
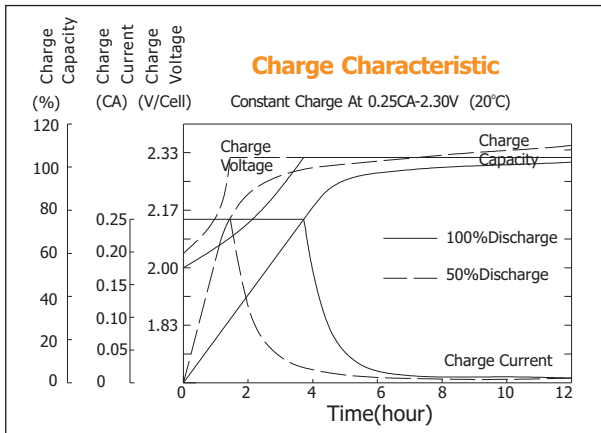


Terminal Dimensions



Battery Model	DC 12-75			
Designed Cycle Life	> 350 cycles @ -0.5CA to 9.6V			
Capacity(20°C)	20HR(3.97A,1.80V)	10HR(7.5A,1.80V)	5HR(12.7A,1.75V)	1HR(47A,1.60V)
	79.4AH	75AH	63.5AH	47AH
Dimensions	Length	Width	Height	Total Height
	260mm(10.2inch)	168mm(6.61inch)	211mm(8.31inch)	214mm(8.43inch)
Approx. Weight	22.5Kg (49.6 lbs)			
Internal Resistance	Full charged at 20°C: 0.0055 Ohm			
Self Discharge	3% of capacity declined per month at (20°C)			
Capacity Affected by Temp.(20HR)	40°C	20°C	0°C	-15°C
	102%	100%	85%	65%
Charge Voltage(20°C)	Cycle use		Float use	
	14.4-14.8V(-30mV/ °C), max. Current: 18.75A		13.6-13.8V(-20mV/ °C)	

Deep Cycle SLA Battery



Constant current discharge ratings-amperes at 20°C

F.V/Time	5MIN	10MIN	15MIN	30MIN	1HR	3HR	5HR	10HR	20HR
1.60V	263	180	131	78.8	47.0	20.5	12.9	7.95	4.15
1.67V	236	164	128	76.5	47.0	20.4	12.8	7.83	4.13
1.70V	224	158	123	75.0	46.8	20.4	12.8	7.77	4.13
1.75V	200	146	116	73.5	46.3	20.3	12.7	7.64	4.12
1.80V	180	136	111	71.3	45.7	20.2	12.6	7.51	3.97
1.85V	137	112	96.0	65.6	45.2	20.1	12.5	7.37	3.73

Constant power discharge ratings-watts at 20°C

F.V/Time	5MIN	10MIN	15MIN	30MIN	1HR	3HR	5HR	10HR	20HR
1.60V	433	299	233	149	97.5	39.3	27.4	15.9	8.30
1.67V	410	295	230	146	94.3	39.3	27.4	15.7	8.27
1.70V	383	287	227	142	91.8	39.3	27.4	15.5	8.27
1.75V	357	269	213	138	91.0	38.7	27.1	15.3	8.23
1.80V	320	250	200	134	89.4	38.2	26.6	15.0	7.94
1.85V	257	207	175	123	88.6	38.0	26.3	14.7	7.47

